

Pioneering for You

HVAC OEM Competence Centre

Yonos PARA High Flow 40/12

Datasheet



ErP
READY

APPLIES TO
EUROPEAN
DIRECTIVE
FOR ENERGY
RELATED
PRODUCTS

Yonos PARA High Flow 40/12



Field of application

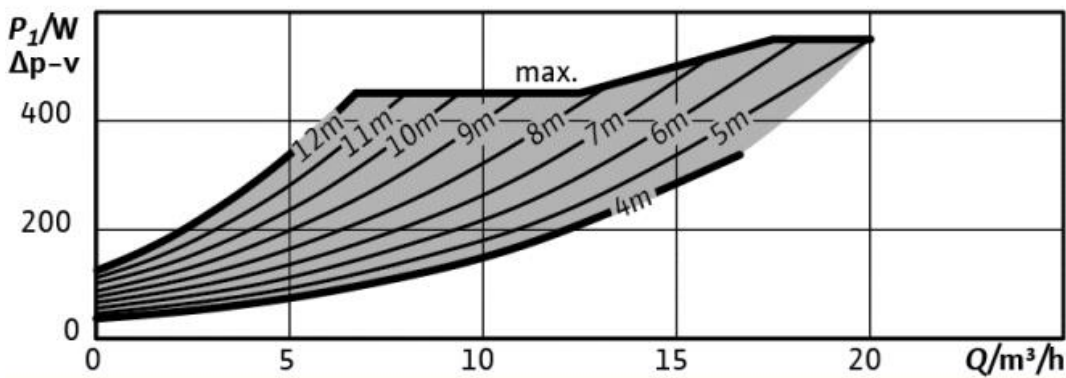
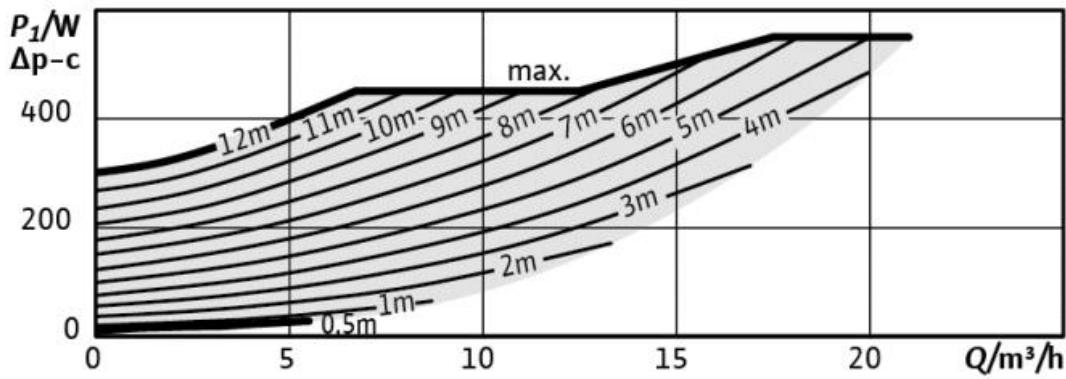
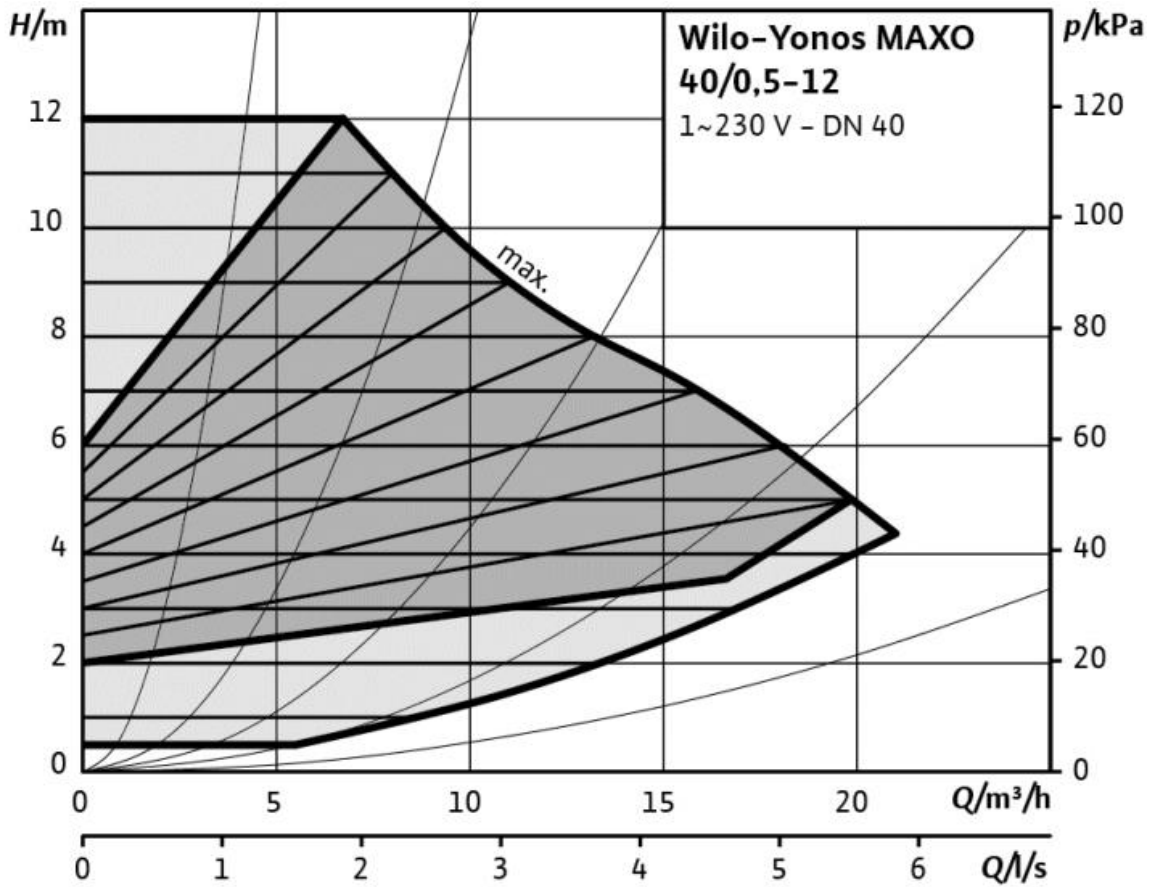
Hot-water heating systems of all kinds, air-conditioning systems, closed cooling circuits, industrial circulation systems.

Yonos PARA High Flow 40/12

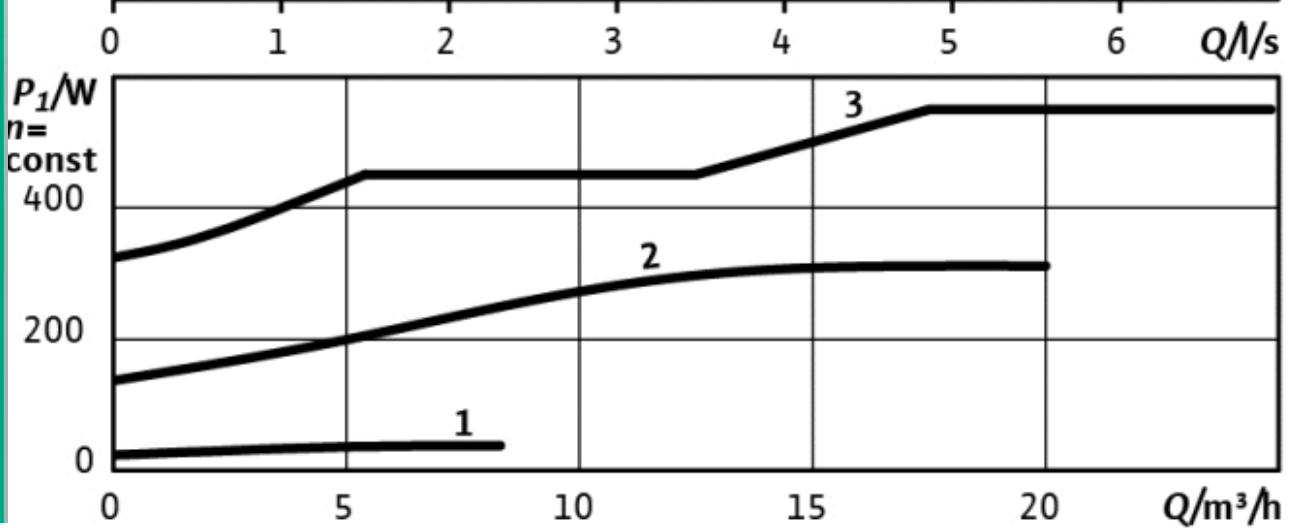
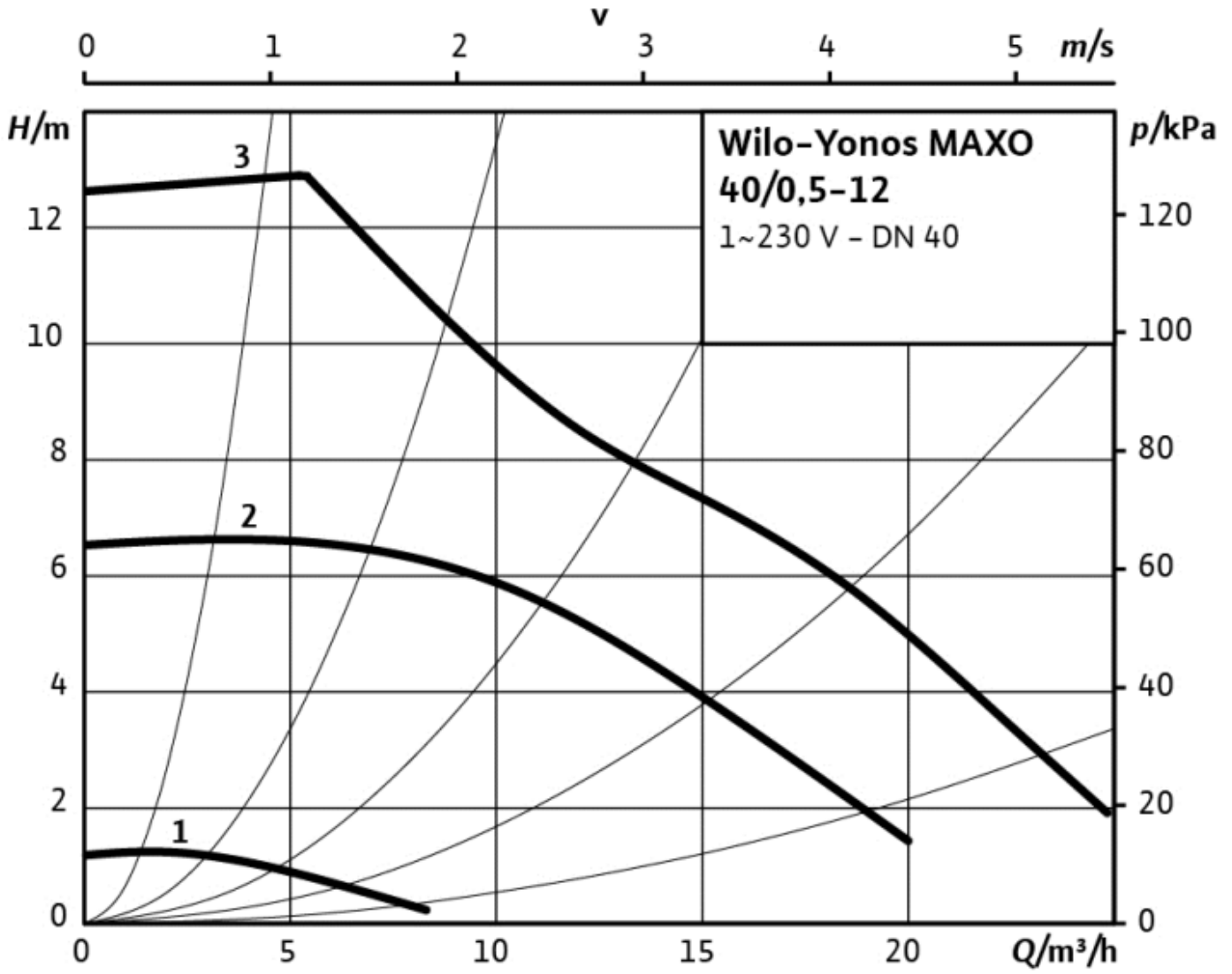
Yonos PARA High Flow Electronically controlled High Efficiency pump

40	Nominal flange connection DN 40
450	Rated power P_2 [W]
13	Weight approx. [kg]

Hydraulic operational area $\Delta p-v$ / $\Delta p-c$ / constant speed

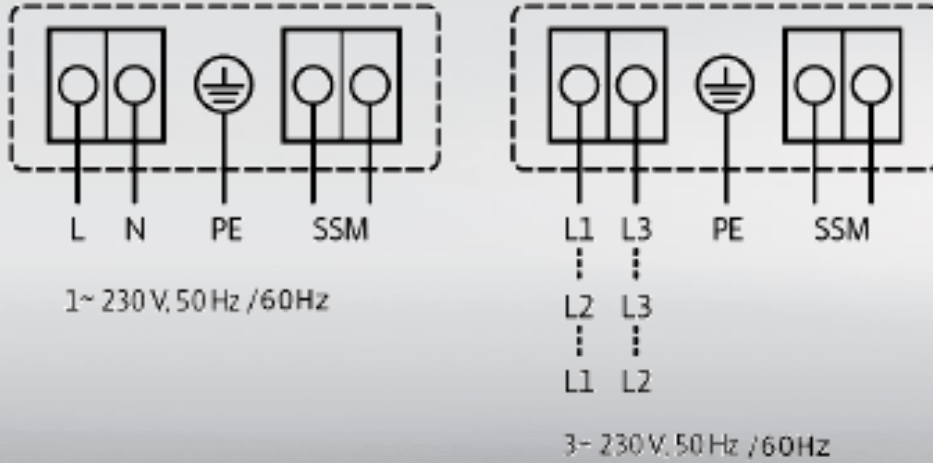


Hydraulic operational area $\Delta p-v$ / $\Delta p-c$ / constant speed



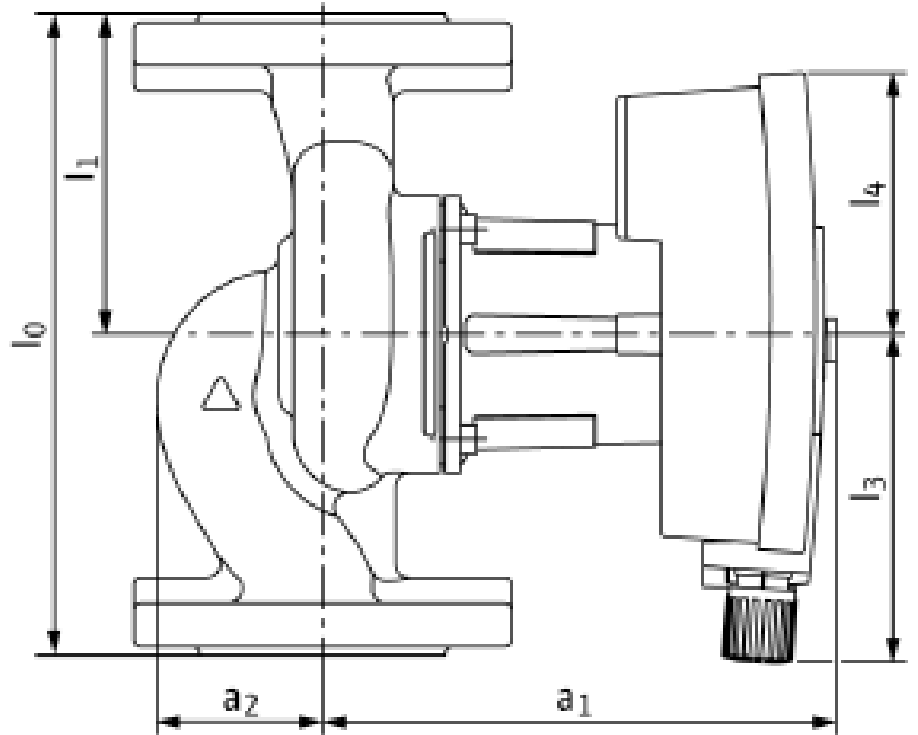
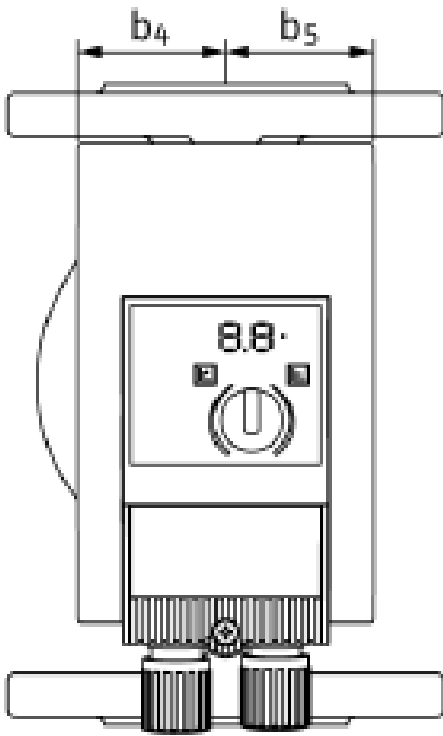
Electrical connections

wilo

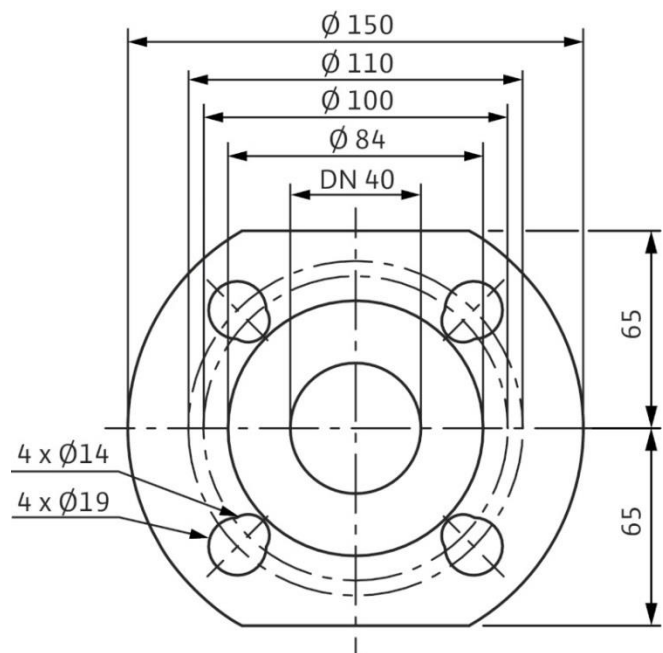




Dimensions



	Dimensions (mm)
a1	315
a2	64
b4	71
b5	71
l0	250
l1	125
l3	152
l4	109



Approved fluids (other fluids on request)	Heating water (in accordance with VDI 2035) Water-glycol mixtures (max. 1:1; above 20% admixture, the pumping data must be checked)
--	--

Power

Energy Efficiency Index (EEI)	≤ 0,20
Max. delivery head	12 m
Max. volume flow	21 m ³ /h

Permitted field of application

Temperature range for applications in HVAC systems at max. ambient temperature. Limit values for continuous operation at maximum rated power	Fluid temperature -20°C to +110°C Ambient temperature -20°C to +40°C The pump is controlled by a power-limiting function that protects against overload.
Maximum static pressure	PN 10

Electrical connection

Mains connection	1~230V ± 10%, 50/60Hz, in accordance with DIN IEC 60038 3~230V ± 10%, 50/60Hz, in accordance with DIN IEC 60038
------------------	--

Motor/electronics

EC Machinery directive	2006/42/EG Conform
Electromagnetic compatibility	Directive 2004/108/EG
Emitted interference	EN 61000-6-3
Interference resistance	EN 61000-6-2
Protection class	IPx4D
Insulation class	F
RoHS / REACH	Not submitted

Minimum suction head at suction port to avoid cavitation at water pumping temperature

Minimum suction head at 50/95/110°C	5 / 12 / 18 m
-------------------------------------	---------------

Motor data

Yonos PARA High Flow	Speed	Power consumption 1-230 V	Current at 1-230 V	Motor protection
	n	P ₁	I	-
	rpm	W	A	-
40/12	950 - 4600	15 - 550	0.17 - 2,4	Integrated

Materials

Yonos PARA High Flow	Pump housing	Impeller	Pump shaft	Bearing
40/12	Grey cast iron (EN-GJL-250)	PPS composite with GF 40%	Stainless steel (X30Cr13)	Carbon, metal impregnated



Pioneering for You

WILO SE
HVAC OEM Competence Centre

50 Avenue Eugene Casella
18700 Aubigny-sur-Nère
France
T +33 2 48 81 62 62
information@wilo-oem.com
www.wilo-oem.com

Follow us on

